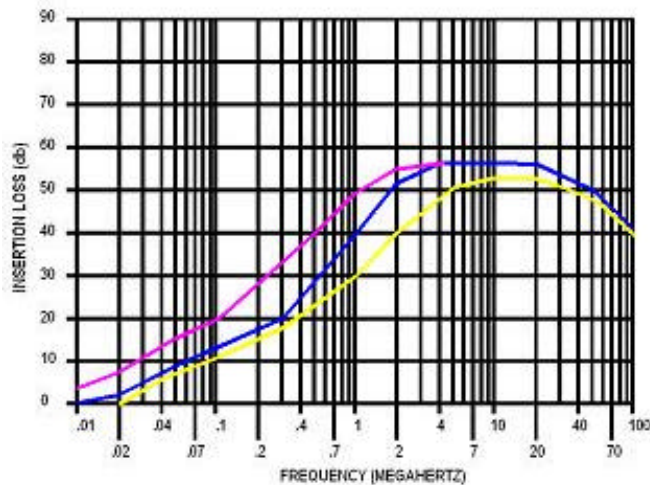
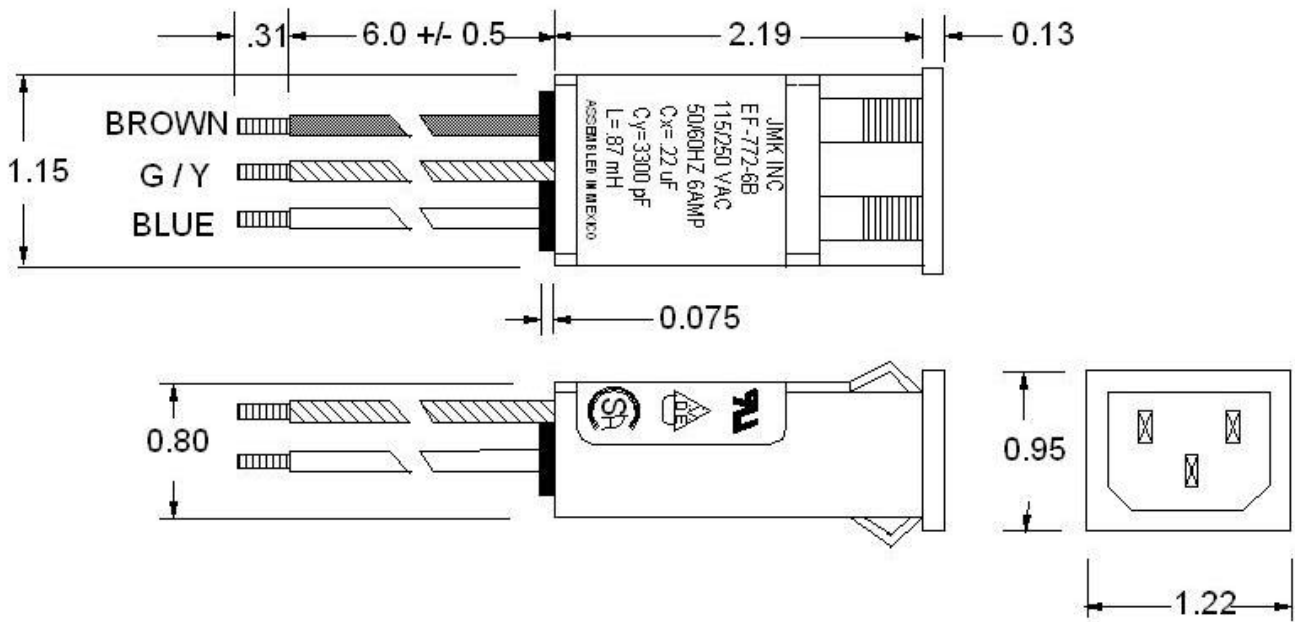
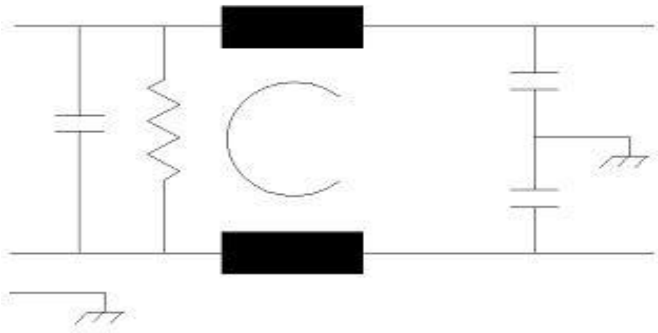




EF-0772-6B

Operating Voltage= 115/240 Vac
 Operating Current Max= 6 amp
 Operating Frequency= 50/60Hz
 Temperature Operating= -20 to 40 deg. C
 Die Withstand (Line to Case)= 1500V~ for 1 Min
 Die Withstand (Line to Line)= 1500Vdc for 1 min
 Leakage Current = 0.5ma @ 250 VAC, 60Hz
 Discharge after 1.0 sec.= 10V Max



The EF-0772-6B is well suited to filter motors, small power distribution systems and power supplies. The snap-in connector makes production assembly quick and easy.



USA JMK Inc 15 Caldwell Dr. Amherst, NH 03031 PH: 603 886-4100 FX: 603 886-4115
 email: info@jmkfilters.com
 EUR JMK Inc Glasgow G13 1DN Scotland UK PH: 44-(0) 7785310729 Fax: 44-(0) 141 589 1884